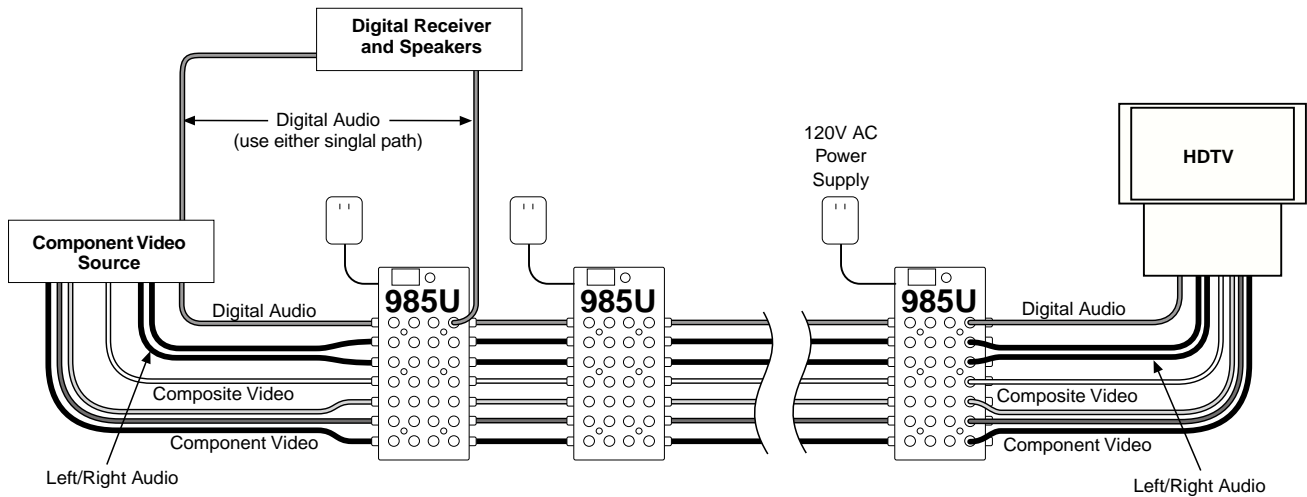


## Sample Multi-Mode Signal Distribution System

- One Source unit drives all types of input on the 985U.
- Both Composite and Component Video can be connected to the TV monitors.
- Audio can be connected to the TV monitors, and/or drive a dedicated receiver and speaker package. In multi-room applications, several receiver/speaker packages may be desirable.



## Sample Component (Y Pb Pr) Video and Digital Audio Distribution System

- Model 985DTV A/V Distribution Amplifier
- Dedicated Source with either optical or coaxial digital audio output. (To use a VGA Source, convert VGA to component video using Model 9A60 Converter.)
- 12 HDTV sets with or without digital audio input jacks.
- Audio can be connected to the TV monitors, and/or drive a dedicated receiver and speaker package. In multi-room applications, several receiver/speaker packages may be desirable.

